

CENTRIFUGAL PUMPS

MODEL CB

SECTIONAL DRAWING CB VERTICAL

Description

Between bearings single stage double suction impeller pumps that can operate in both vertical and horizontal installations. Low shaft stiffness ratio and compact design in multiple orientations.

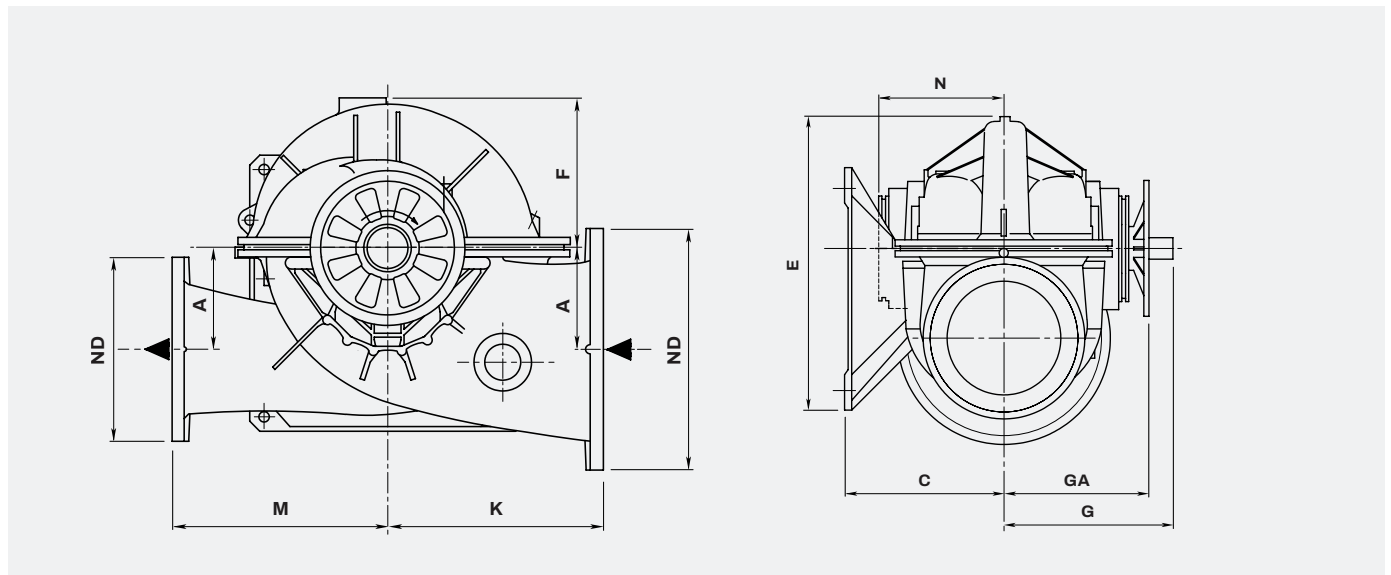
Capacity:

600-6000 m³/h

Differential pressure:

150-180 mlc.

TECHNICAL SPECIFICATION



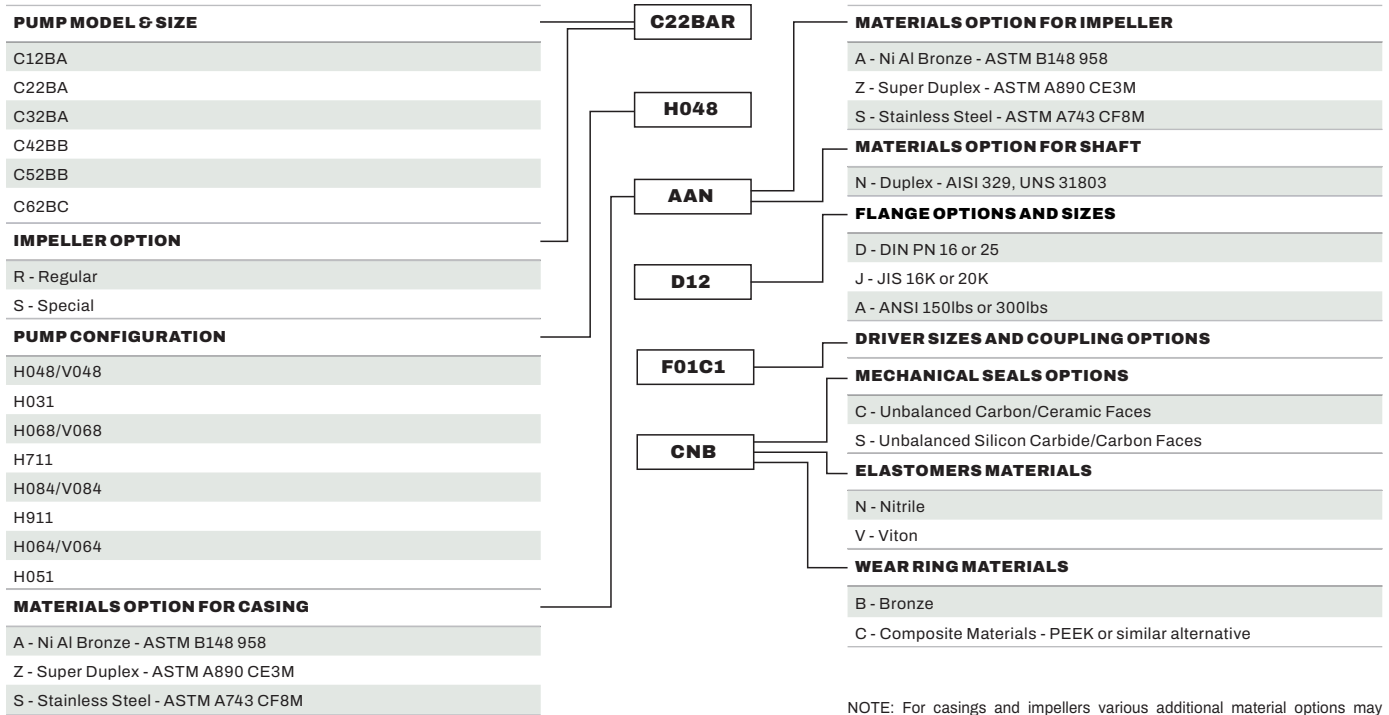
DIMENSIONS (MM)

Pump Size	Suction ND	Outlet ND	A	C	E	F	G	GA	K	M	N	Weight* (kg)
C12BA 10-14	350	250	300	500	900	380	570	450	580	630	400	790
C22BA 12-16	400	300	315	530	955	435	570	450	630	630	400	870
C32BA 14-18	450	350	315	550	986	466	570	450	630	630	400	1000
C42BB 16-20	500	400	355	630	1159	519	670	575	750	750	480	1270
C42BB 18-24	600	450	355	630	1159	519	670	575	750	750	480	1300
C52BB 18-24	600	450	420	690	1209	569	670	575	850	850	480	1730
C52BB 20-28	700	500	420	690	1209	569	670	575	850	850	480	1740
C62BC 20-28	700	500	420	750	1395	655	830	680	950	950	560	2630

*Approximate Weight

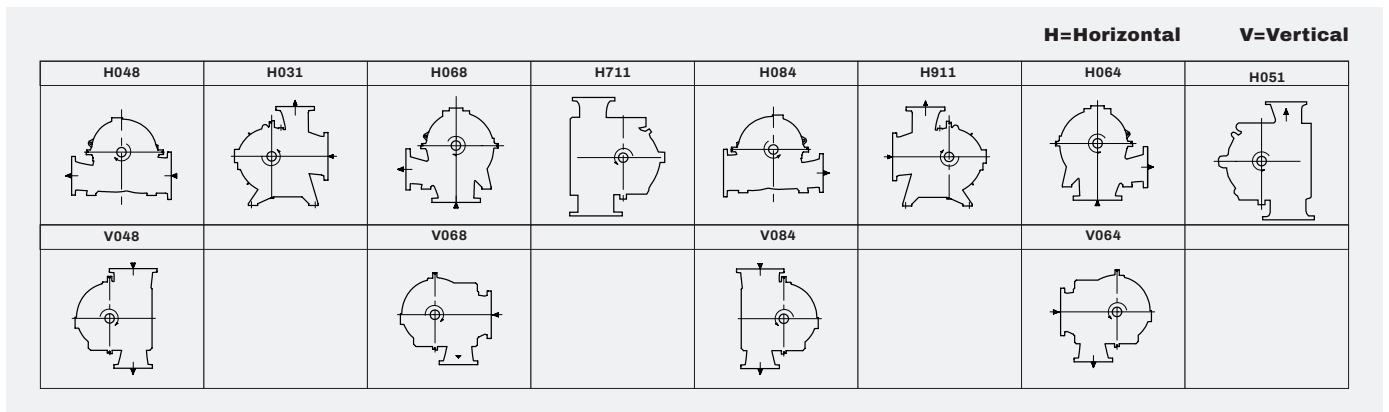


CONSTRUCTION CODE

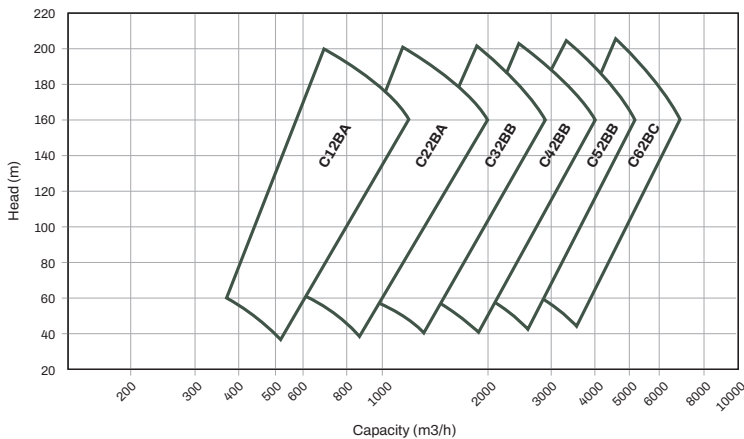


NOTE: For casings and impellers various additional material options may be available on request. e.g. other grades of bronze, Duplex, Nodular Cast Iron etc. For shafts various materials available on request e.g. Monel, Super Duplex - UNS32760 etc. Various mechanical seal options available on request e.g. balanced seal, harden faced seal faces, Hastelloy metals parts etc. For elastomers materials other options available on request e.g. EPDM.

PUMP CONFIGURATION



CAPACITY RANGE



Svanehoj Singapore Pte. Ltd.
 15 Benoi Crescent
 Singapore 629978

svanehoj@svanehoj.com
 svanehoj.com

SVANEHOJ
 An ITT Company