

Centrifugal pumps

Model CB

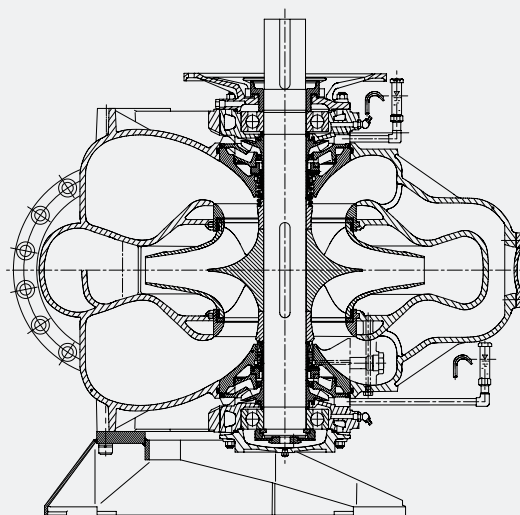
Sectional Drawing CB Vertical

Description

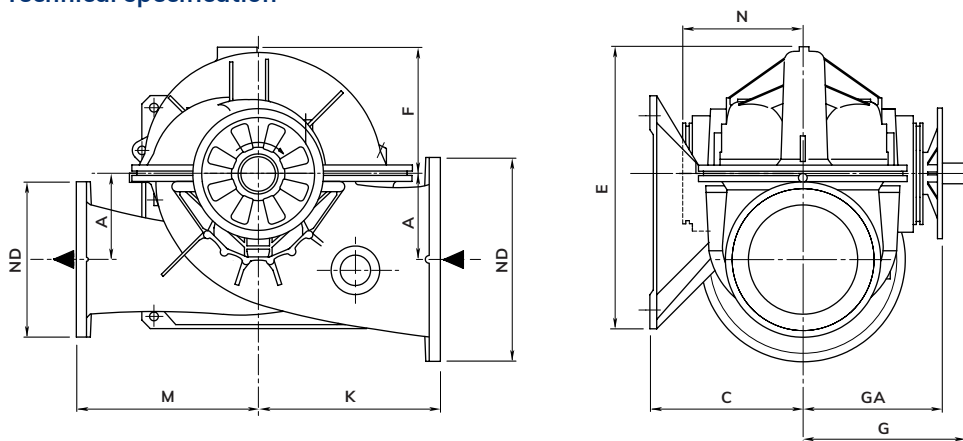
Between bearings single stage double suction impeller pumps that can operate in both vertical and horizontal installations. Low shaft stiffness ratio and compact design in multiple orientations.

Capacity: 600-6000 m³/h

Differential pressure: 150-180 m.c.



Technical specification

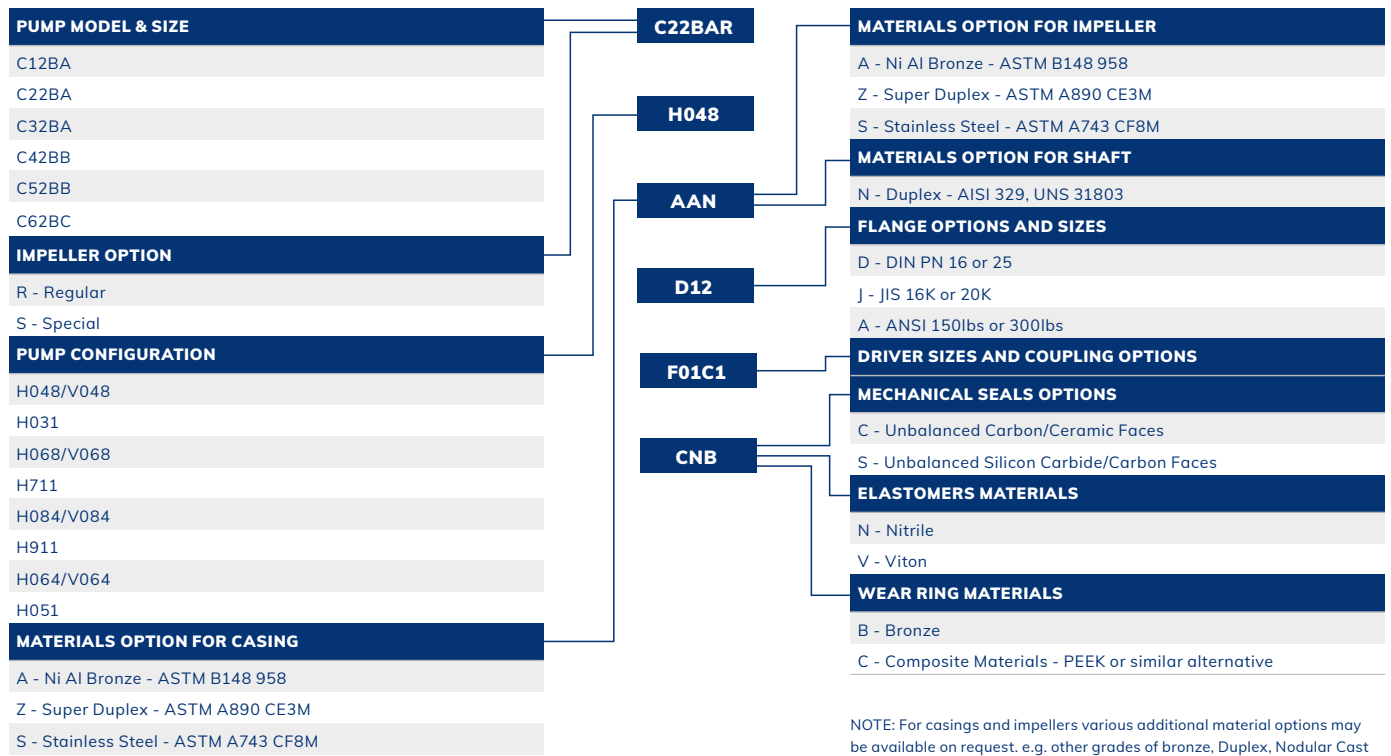


Dimensions (mm)

Pump Size	Suction ND	Outlet ND	A	C	E	F	G	GA	K	M	N	Weight* (kg)
C12BA 10-14	350	250	300	500	900	380	570	450	580	630	400	790
C22BA 12-16	400	300	315	530	955	435	570	450	630	630	400	870
C32BA 14-18	450	350	315	550	986	466	570	450	630	630	400	1000
C42BB 16-20	500	400	355	630	1159	519	670	575	750	750	480	1270
C42BB 18-24	600	450	355	630	1159	519	670	575	750	750	480	1300
C52BB 18-24	600	450	420	690	1209	569	670	575	850	850	480	1730
C52BB 20-28	700	500	420	690	1209	569	670	575	850	850	480	1740
C62BC 20-28	700	500	420	750	1395	655	830	680	950	950	560	2630

*Approximate Weight

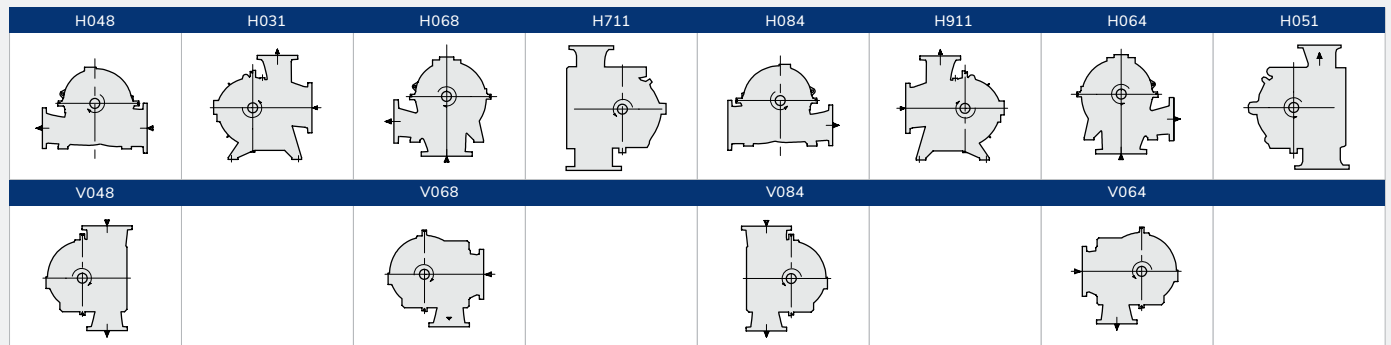
Construction code



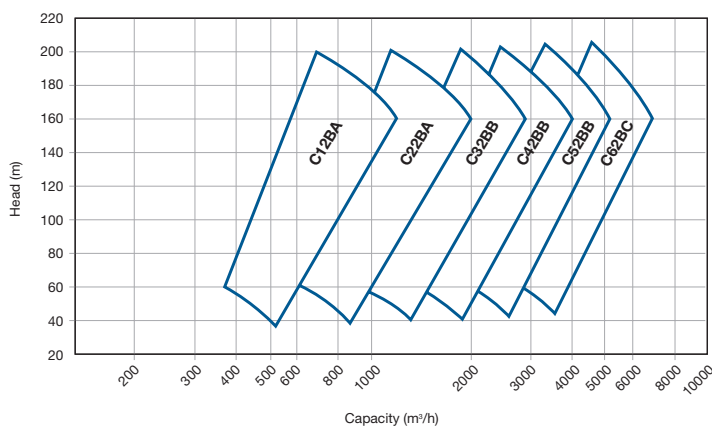
NOTE: For casings and impellers various additional material options may be available on request. e.g. other grades of bronze, Duplex, Nodular Cast Iron etc. For shafts various materials available on request e.g. Monel, Super Duplex - UNS32760 etc. Various mechanical seal options available on request e.g. balanced seal, harden faced seal faces, Hastelloy metals parts etc. For elastomers materials other options available on request e.g. EPDM.

Pump configuration

H = Horizontal / V = Vertical



Capacity range



The manufacturers reserve the right to alter the specification and data to incorporate improvements in design. Certified drawings will be issued on request.

© All details copyright Hamworthy Pumps

Website: www.hamworthy-pumps.com

Hamworthy Pumps

Hamworthy Pumps Singapore Pte Ltd
Tel: +65 6261 6066
Email: sgpumpsales@hamworthy-pumps.com

Hamworthy Pumps UK Ltd
Tel: +44 (0) 788 6851102
Email: gbpumps@hamworthy-pumps.com