

POWERING A BETTER FUTURE

Solutions for the zero-carbon transition

SVANEHØJ
An ITT Company

A person in a striped shirt stands on a grassy dune overlooking a beach and the ocean at sunset. The scene is peaceful and scenic, with the sun low on the horizon, casting a warm glow over the water and sand. The person is looking out towards the sea.

POWERING A BETTER FUTURE

The accelerating climate changes call for a complete transformation from fossil fuels to clean and renewable energy types. At Svanehoj, we take pride in having the knowledge, the pump solutions, and critical components to develop a safe and fast transition.

Svanehoj designs and manufactures specialized deepwell and submerged marine pumps for vital applications within fuel, cargo, and offshore, as well as high-end tank gauging systems for LNG and LPG storage on vessels and land-based terminals. Svanehoj is also a leading full-scope provider of inspection, service, and calibration of cargo equipment on gas and product and chemicals tankers.

Svanehoj's mission is to help power a better future by offering solutions and services that support a rapid transition to renewable energy in the hard-to-abate sectors. At least 95% of our R&D budget is invested in solutions for the energy transition. Our pump technology is compatible with all forms of liquified gas, including LNG, LPG, CO₂, ammonia, and methanol.

AN ITT COMPANY

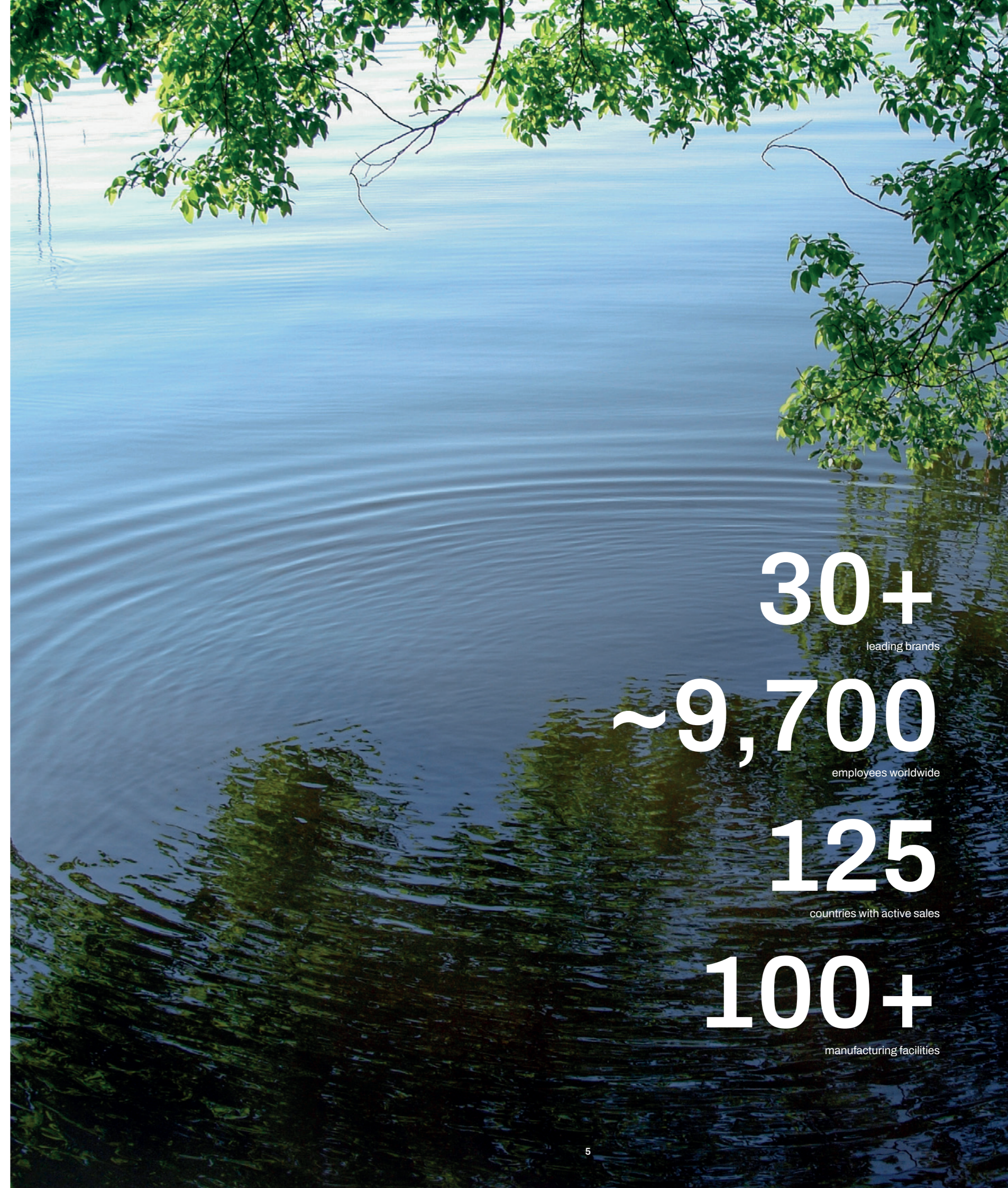
In 2024, Svanehoj became part of ITT, joining a global organization with 10,000 colleagues worldwide.

Svanehoj is a part of the U.S. based multi-industrial company ITT Inc. – a leading worldwide manufacturer of customized technology solutions for transportation, industrial and energy markets.

ITT Inc., headquartered in Stamford, Connecticut, is a leading global manufacturer

of essential components such as pumps, valves, and connectors, serving key industries including transportation, energy, and aerospace.

As part of ITT's Industrial Process (IP) business, Svanehoj contributes to a global leader in flow technology, specializing in highly engineered pumps, valves, and aftermarket services.



30+

leading brands

~9,700

employees worldwide

125

countries with active sales

100+

manufacturing facilities

We have almost 100 years of maritime experience in meeting stringent requirements for pumps operating in the most demanding conditions.



A strong commitment through a long history

Svanehoj was founded in 1928 by F. Dam, a visionary and hardworking marine engineer. Shaped by his own experiences at sea, he wanted to develop better and more reliable marine pumps.

From the start, Svanehoj strived for reliability and excellence through relentless ingenuity. Motivated by the core idea that you can always do better, the pumps were continually improved.

In the 1960s, Svanehoj developed the deepwell pumps, setting a completely new standard for cargo pumps and the safe handling of complex fluids. With the development of DW Fuel Pumps years later, Svanehoj again set new standards.

After almost a century, Svanehoj still delivers innovative solutions based on customer needs for handling complicated fluids and liquified gasses.

Today we are set out to help overcome the barriers towards a zero-carbon future with new businesses and services for the offshore and onshore industries.

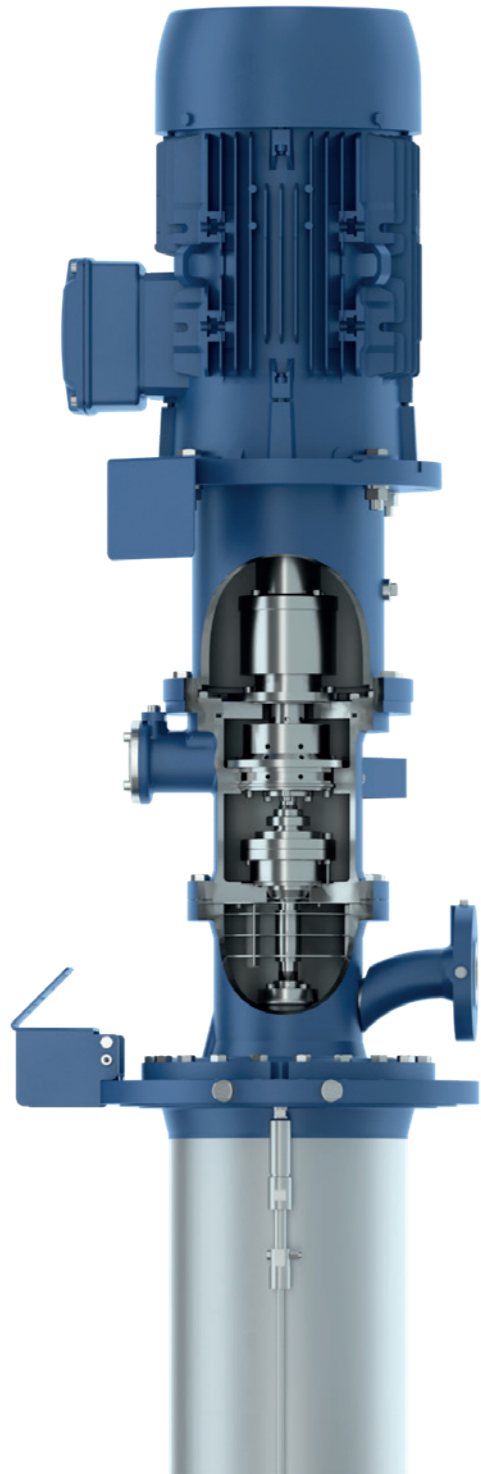
Powering a better future.

LEADING SPECIALIST IN FUEL PUMP SOLUTIONS

The need for decarbonisation requires that we leave fossil fuels behind for better and cleaner alternatives. As a global leading specialist in the market for Fuel Pump Solutions, Svanehoj is dedicated to developing the best and the most comprehensive range of future Fuel Pump Solutions to meet the need for carbon neutral fuels whether we talk LNG, LPG, ammonia, or methanol.

DW FUEL PUMP

The renowned Deepwell Fuel Pump provides a solution that not alone supports eco-friendly LNG-fuelled vessels but also alternatives such as LPG, ethane, methanol, and even ammonia. Being future-proof and reliable like no other it ensures operational safety and efficiency wherever the fuelling transition will take you.

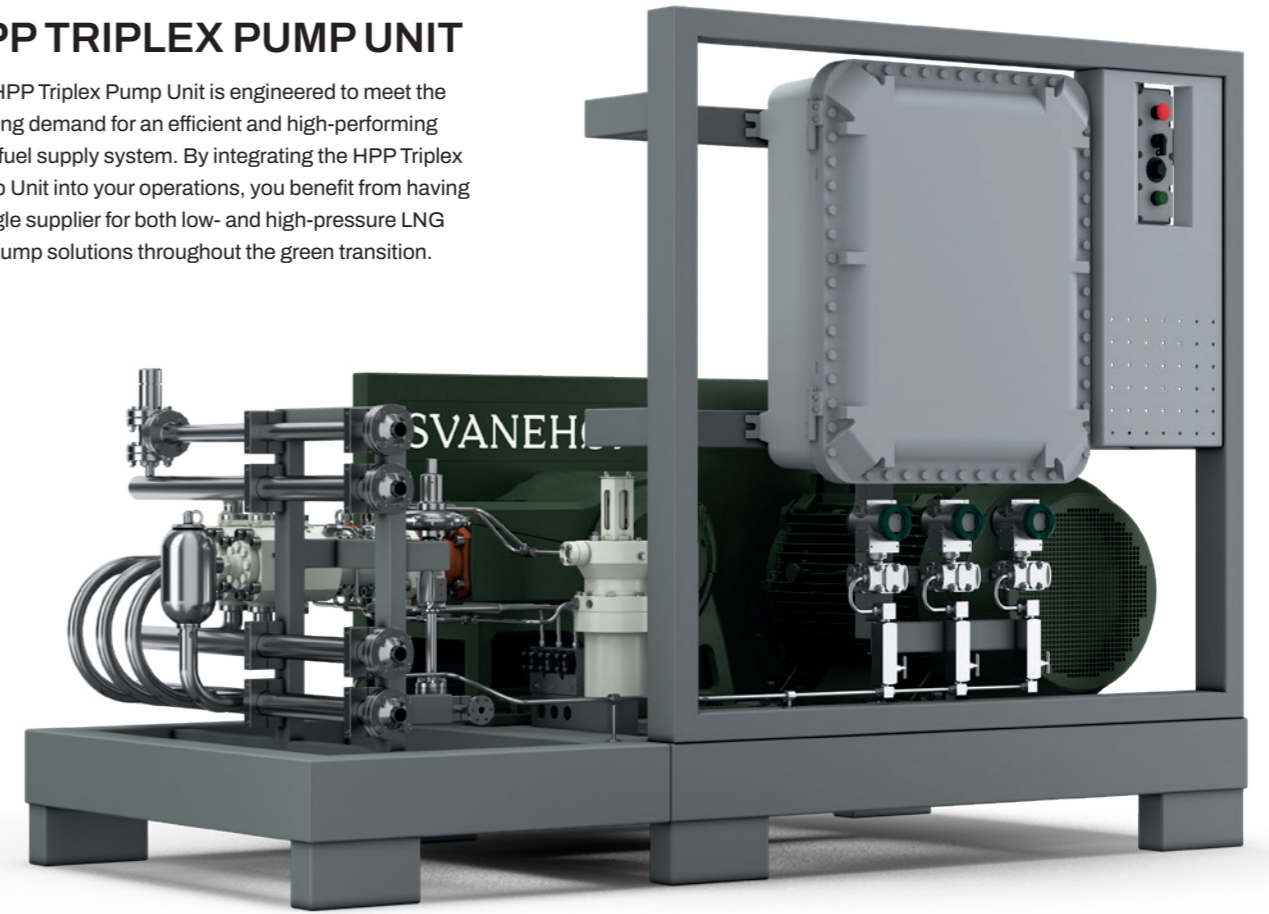


SUBMERGED FUEL PUMPS

Next to the Deepwell Fuel Pump, you find our new Cryogenic Submerged Fuel Pump. It is exclusively designed and produced for maritime use – a testament to our DNA and a new strong solution in Submerged Fuel Pumps. It is immensely efficient, immensely reliable, and assisted by our strong global aftersales service set-up.

HPP TRIPLEX PUMP UNIT

The HPP Triplex Pump Unit is engineered to meet the growing demand for an efficient and high-performing LNG fuel supply system. By integrating the HPP Triplex Pump Unit into your operations, you benefit from having a single supplier for both low- and high-pressure LNG fuel pump solutions throughout the green transition.



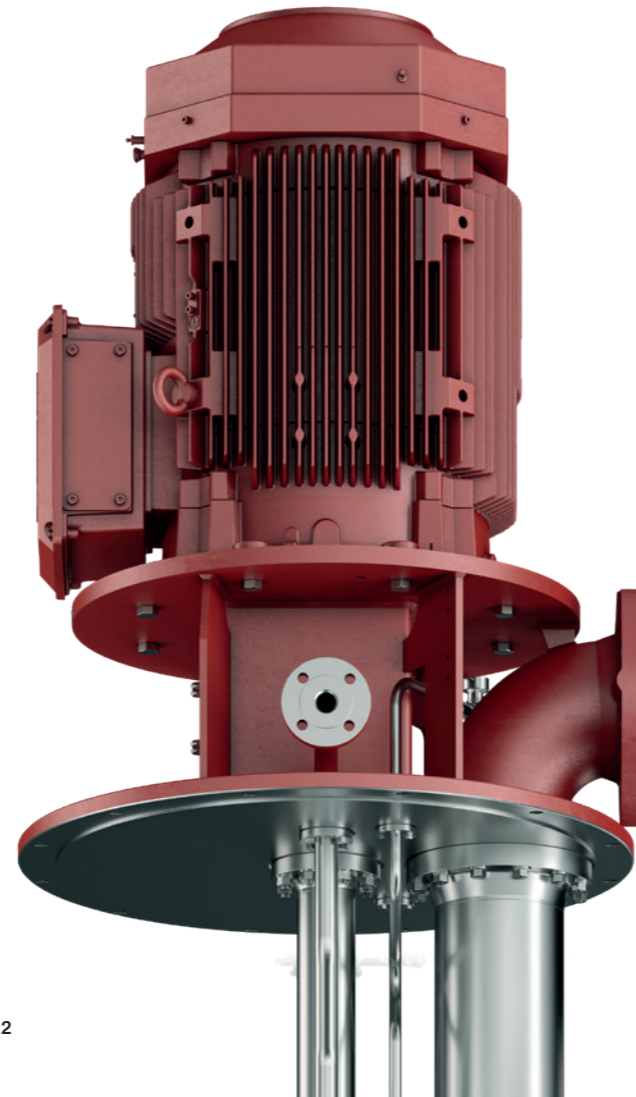
NH3 FUEL PUMP

Svanehoj now introduces a new addition to our product portfolio - the NH3 Fuel Pump. With this launch Svanehoj offers a unique ability to provide both Low-Pressure (LP) and High-Pressure (HP) fuel pumps. Svanehoj is the only supplier offering this dual capability, leveraging the same trusted pump technology for both pressure ranges. This consistency across LP and HP pumps not only simplifies the installation process but also reduces the complexity and cost of maintenance, as customers benefit from a unified proven approach.

Dependable design – unmatched performance

DW CARGO PUMP FOR PRODUCT AND CHEMICALS

The Deepwell Cargo Pump for product and chemical tankers are driven by unparalleled technology and a unique electrical handling system. Compared to traditional hydraulic technology this ensures up to 20% higher efficiency, significantly less maintenance and minimal CO₂-emissions.



DW CARGO GAS PUMP

For decades, Svanehoj DW Cargo Pumps have been the backbone of marine cargo operations, renowned for their unwavering performance and efficiency.

Our commitment to continuous improvement means that these pumps are not only built to handle today's demands but also equipped to embrace future challenges and opportunities.

With more than 14.500 pumps delivered and more than 2.000 pumps currently in operation worldwide, the Svanehoj DW Cargo Pump is a testament to our engineering excellence. It is designed to handle a wide range of gas cargo, including LNG, LPG, ammonia, methanol, and ethane. This versatility ensures that our pumps are ready for the evolving energy landscape, including applications in carbon capture and storage.



At Svanehoj we aim to provide innovative and dependable pump solutions that stand the test of time.

A cool solution to global heating

Carbon Capture & Storage technologies have the potential to make huge reductions in the CO₂ that is emitted into our atmosphere. CCS paves the way for industries to meet the increasing global climate goals.

Carbon Capture & Storage is not new to us at Svanehoj. Since the 1990s, we have taken significant steps within this area and been a close and committed partner in promising projects, contributing with our knowledge and experience, as well as our patented pump solution for CO₂ carriers and CO₂ transportation.

Designed to be safe, reliable, and flexible our pump solution supports the global shipping industry and related industries with technology tailored to accelerate the green transition.

ENHANCING THE SAFETY OF LNG STORAGE

Svanehoj provides the design, manufactures, and service of high-end measurement systems for gas tanks on LNG ships, offshore storage, and land-based LNG terminals.

Precise monitoring of LNG tanks is vital since LNG can be of widely varying quality. As a result, there is always the critical risk of stratification and a potential 'rollover' with severe consequences.

For many years, Svanehoj Tank Control Systems has developed cutting-edge technologies that enhance the safety of LNG, cryogenic and refrigerated storage.

This involves monitoring and shut down systems both onshore and offshore. As a matter of fact, Svanehoj Tank Control Systems was the first to provide a level, temperature, and density (LTD) gauge for floating storage.

HYDRAULIC CONTROL UNIT

Our hydraulic control panels integrate seamlessly with your site's safety devices. The 06999 Customized Hydraulic Control Unit is perfect for large LPG installations and can be tailored to your needs. For smaller setups, the 05999 Compact Unit offers a reliable, modular solution for up to five hydraulic lines, with fast delivery and easy maintenance.



EMERGENCY SHUT OFF VALVES

Our fail-safe, remote operated valves provide rapid shut down in case of emergency or fire. It is particularly recommended to safeguard storage tanks and loading facilities handling liquefied gases and chemicals.



LTD GAUGES

Our LTD Gauges are an integral component of a comprehensive LNG storage tank instrumentation solution. The Whessoe LTD Gauges - designed and manufactured by Svanehoj - were the pioneers in offering a level, temperature, and density (LTD) gauge specifically for floating storage applications. Today, these LTD Gauges stand as the most advanced in the industry.



LT GAUGES

The servo gauge 01143-2, designed for LPG and LNG refrigerated tanks, provides a simple and precise solution for continuous liquid level measurement. It utilizes a combination of inductive sensing technology and precision perforated tape for accurate readings. The electronics, servo motor, and I.S. barriers are housed in a separate flameproof compartment, allowing for easy maintenance and servicing.

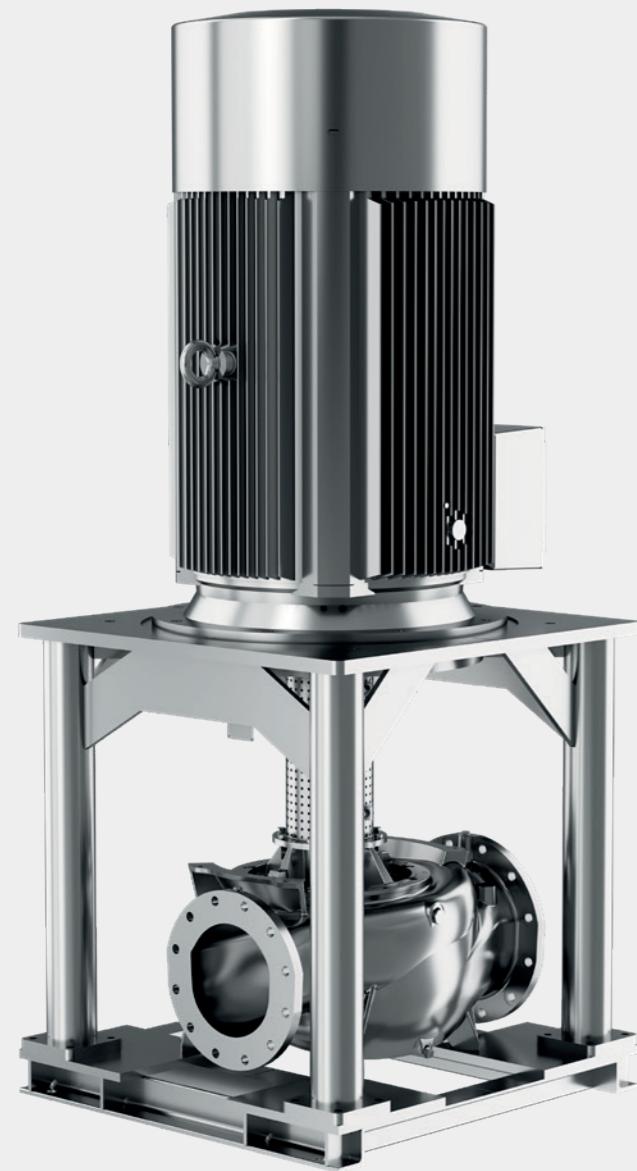


HAMWORTHY PUMPS - ENGINEERED AND MANUFACTURED BY SVANEHOJ

With over 100 years of expertise, Hamworthy Pumps is renowned for its high-quality in-line pumps in the Marine, offshore, and defense sectors. Now fully integrated and branded as Svanehoj, we continue to produce and sell the original Hamworthy Pumps products, preserving the legacy and reputation of our trusted brand.



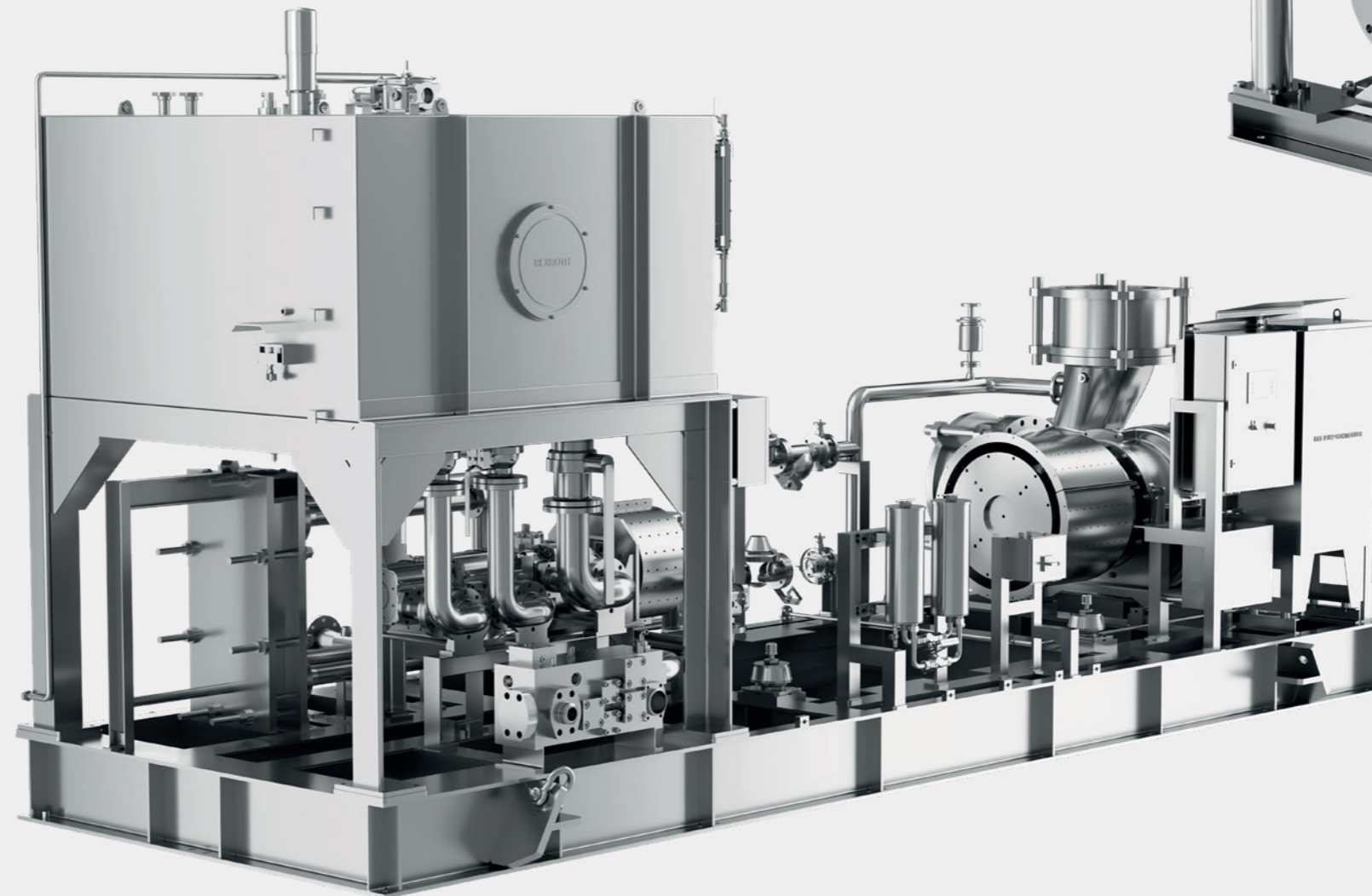
Being part of Svanehoj assures our commitment to delivering the same exceptional service and product quality.



With over 100 years of expertise, Hamworthy Pumps is renowned for its high-quality in-line pumps in the Marine, Offshore, and Defense sectors.

ENGINE ROOM PUMPS

The Engine Room Pumps from Hamworthy Pumps are designed for ultimate reliability, accessibility, and efficiency in the toughest operating conditions. Produced in the highest quality materials, these pumps feature a proven simplicity of design and responsive support, making them a trusted choice for vessels worldwide.



PUMP ROOM SYSTEMS

Our PumpRoom Systems, characterized by a separate pump room in front of the engine room, offer easy access for inspection and maintenance and great flexibility in choosing a prime mover. They have compact configurations for optimum pump room layout combined with high operational efficiency.



FIRE WATER PUMP PACKAGES

The Hamworthy Pumps Fire Water Pump Packages (FWPPs) are designed to be self-contained according to NFPA 20 regulations, while also meeting the operational requirements of the marine, offshore and onshore markets.

Svanehoj EPS B.V.

- Reliable pump solutions for demanding industries

Svanehoj EPS B.V. specializes in the development, sales, and maintenance of high-quality pumping systems tailored to global customer needs. Their expertise ensures seamless system integration, on-site installation, and a strong commitment to long-term reliability. With a dedicated service department providing 24/7 support – including preventive maintenance, condition monitoring, emergency repairs, and spare parts – Svanehoj EPS B.V. helps maximize operational efficiency.

As the exclusive distributor of premium brands such as ITT Bornemann, and ITT Goulds Pumps in the Benelux, Svanehoj EPS B.V. adds industry-leading solutions to Svanehoj's portfolio. By combining cutting-edge technology with deep technical know-how, Svanehoj EPS B.V. strengthens our position as a trusted partner in fluid handling across multiple industries.





Your trusted pump specialist for the green transition

The future has become more and more difficult to predict. Success and competitiveness depend upon how fast you adapt to new challenges and situations.

With our extensive expertise and renowned collaborative mindset, we at Svanehoj advise and assist you all the way. We make sure that you are up to demands and able to grow your business – whether the right solution for you is within Gas Pumps, Fuel Pumps, Chemicals,

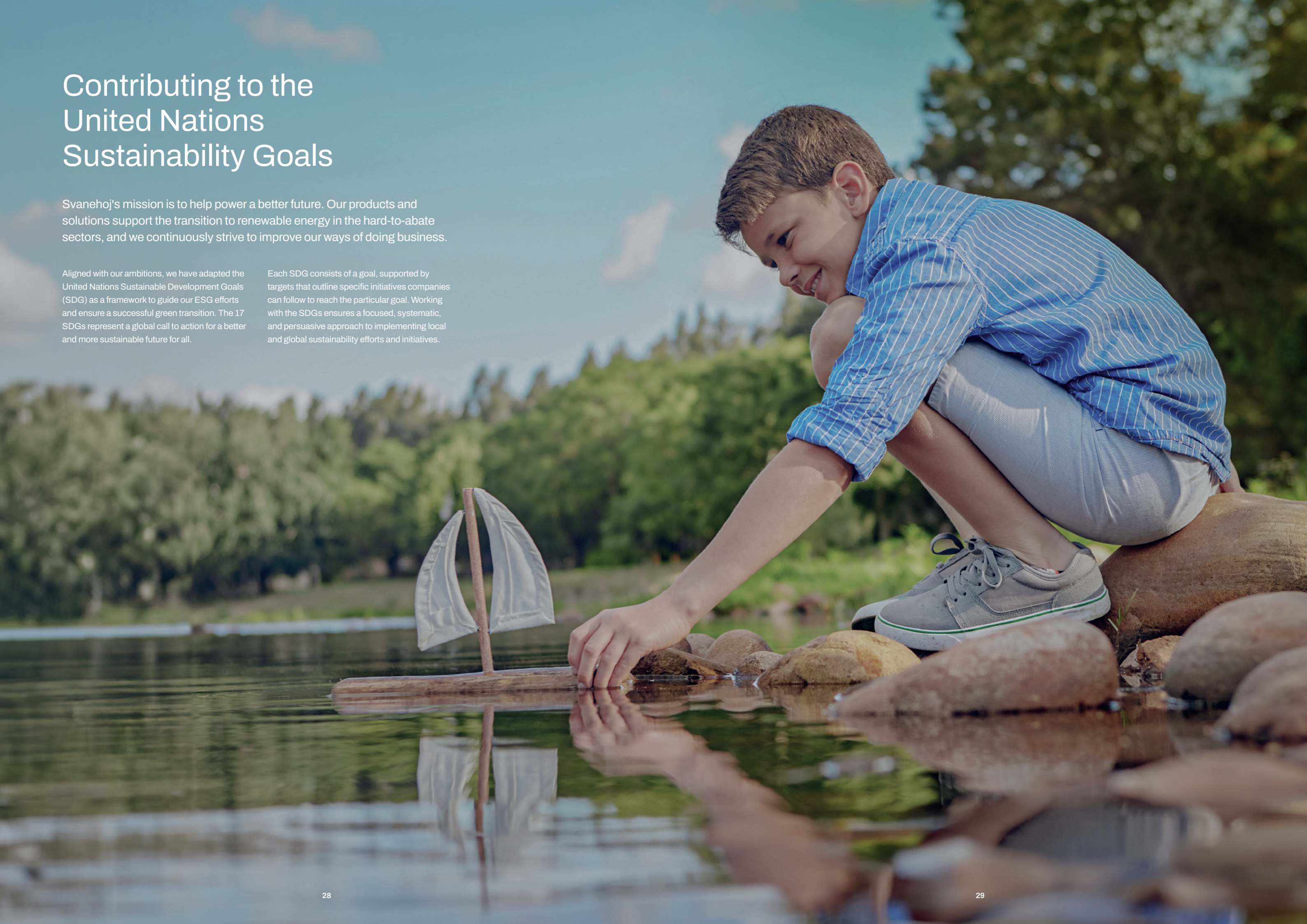
offshore products, storing, loading or offloading liquified gases (LNG, LPG, ethane, ethylene, methanol, ammonia etc.).

Contributing to the United Nations Sustainability Goals

Svanehoj's mission is to help power a better future. Our products and solutions support the transition to renewable energy in the hard-to-abate sectors, and we continuously strive to improve our ways of doing business.

Aligned with our ambitions, we have adapted the United Nations Sustainable Development Goals (SDG) as a framework to guide our ESG efforts and ensure a successful green transition. The 17 SDGs represent a global call to action for a better and more sustainable future for all.

Each SDG consists of a goal, supported by targets that outline specific initiatives companies can follow to reach the particular goal. Working with the SDGs ensures a focused, systematic, and persuasive approach to implementing local and global sustainability efforts and initiatives.





ONE-STOP SERVICE ALL OVER THE WORLD

Svanehoj has designed, engineered, and built pump solutions for almost a century, and we are proud to offer one of the strongest service solutions in the market. With highly skilled and service-minded teams, we ensure well-prepared and cost-efficient one-stop service worldwide.

Our philosophy is to serve our customers throughout the lifecycle of their installation, with solutions including services, spare parts, maintenance agreements, retrofit solutions

and upgrades, and our team offers a knowledge-based "one-stop-shop", including: spare parts handling, remote support and field service support.

Svanehoj Danmark A/S
Fabriksparken 6,
DK 9230 Svenstrup J

Tel. +45 96 37 22 00
svanehoj@svanehoj.com
svanehoj.com

SVANEHOJ
— An ITT Company